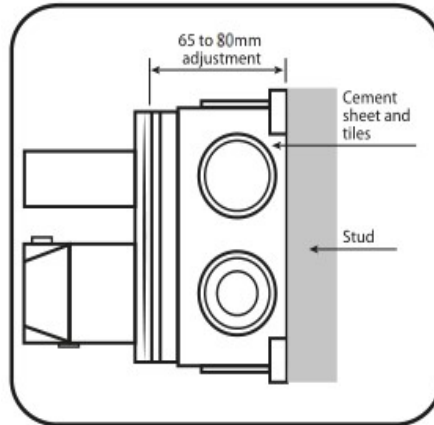


Embedded Shower instruction

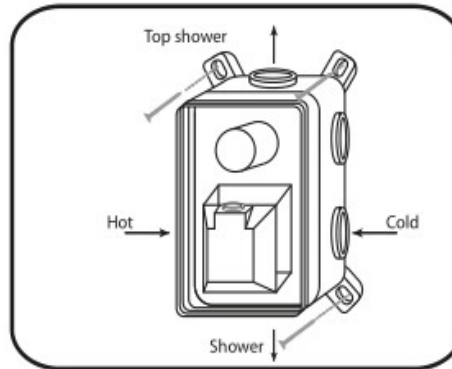
STEP 1.

Embedded box installation depth map



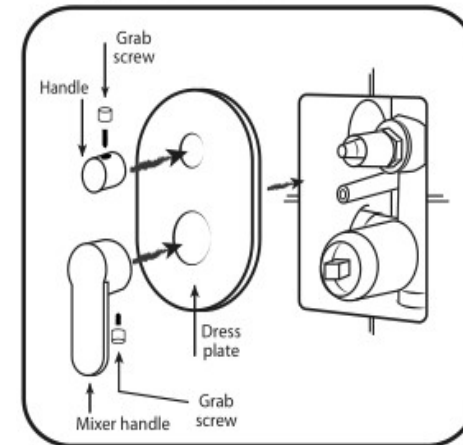
STEP 2.

Attach water supply and water outlet; Screw the shower mixer assembly in place. TEST AND CHECK FOR LEAKS.

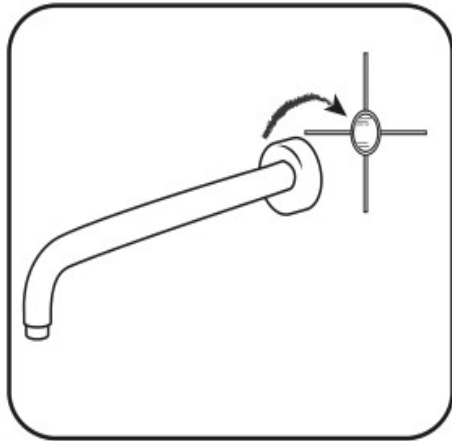


STEP 3.

Install panel and handle

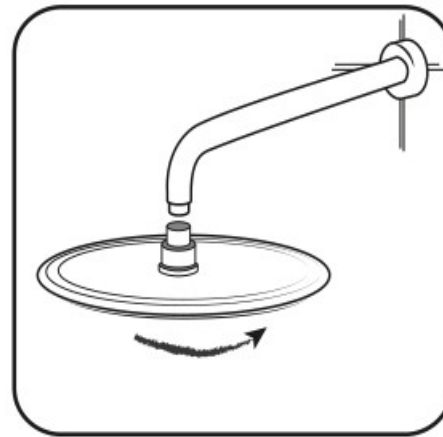


STEP 4. **Install into the wall tube**



STEP 5.

Install top gush



STEP 6.

Install the shower wall and handheld showers.

