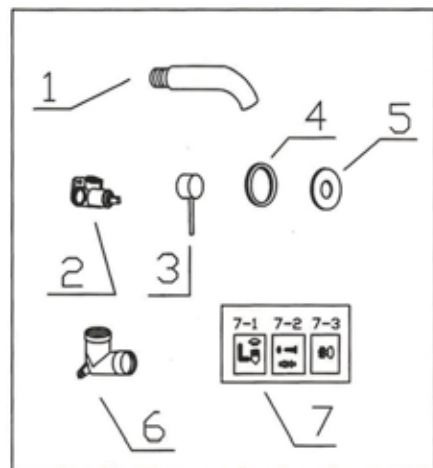
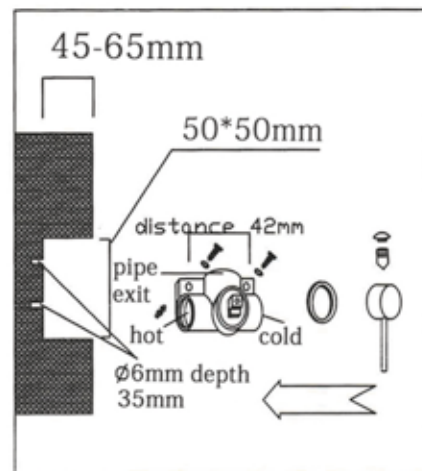


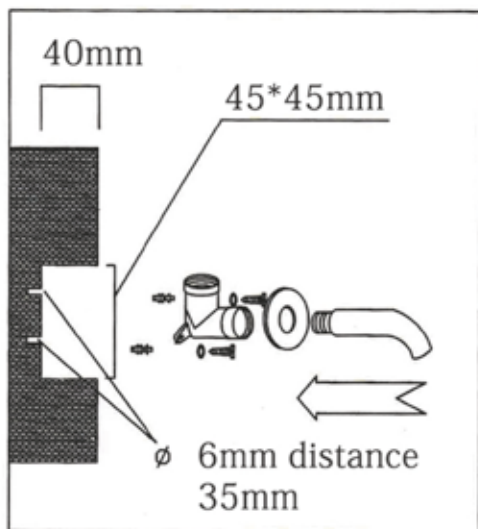
IMEX Instruction of concealed basin faucet



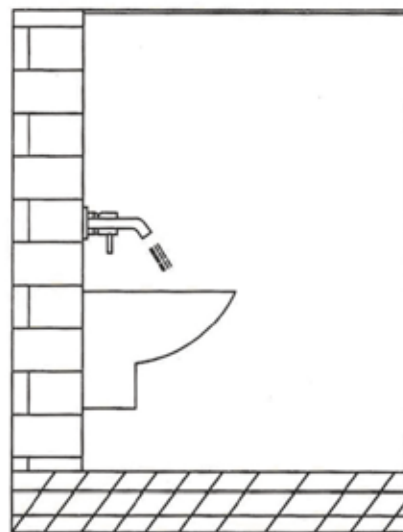
- 1) check all spare parts
- 1 pipe
- 2 body to handle
- 3 handle
- 4 cover plate
- 5 cover plate
- 6 body to pipe
- 7 spare part bag



- 2) Dig hole for body to handle
 - 2.1 Hole size
50* 50mm,depth from 45 to 65mm;
 - 2.2 Dig two 6mm holes with 42mm distance
 - 2.3 Assemble spare parts as picture shows



- 3) Dig hole for body to pipe
- 3.1 Hole size
45*45mm, depth 40mm;
- 3.2 Dig two holes 6mm distance
35mm
- 3.3 Assemble spare parts
as picture shows



- 4) Connect inside pipe and test
for leak checking